

COLLECTION

# BATEA L



The largest member of the Batea family has a large storage space that opens up when you slide back the table top. A coffee table that combines tradition and modernity, adapting to the dynamics of each space, keeping everything in order.

With clean, rounded lines, this piece comprises a table top and four legs made of solid wood that can be easily attached to a lacquered metal structure.

Available in oak and black and white lacquered metal finishes.

La mayor de la familia Batea, cuenta con un gran espacio de almacenaje que se descubre al deslizar su base. Una mesa que fusiona tradición y modernidad, adaptándose al dinamismo de cada espacio, facilitando su orden.

De líneas limpias y redondeadas, se compone de base y cuatro patas de madera maciza, que se montan fácilmente sobre una estructura de metal lacado y madera.

Disponible en madera de roble y acabados metal lacado negro y blanco.



**Woodendot**  
LIVE DESIGN



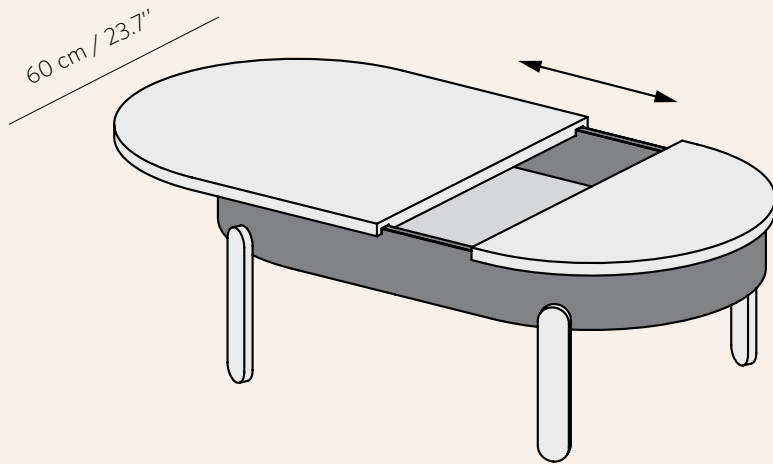
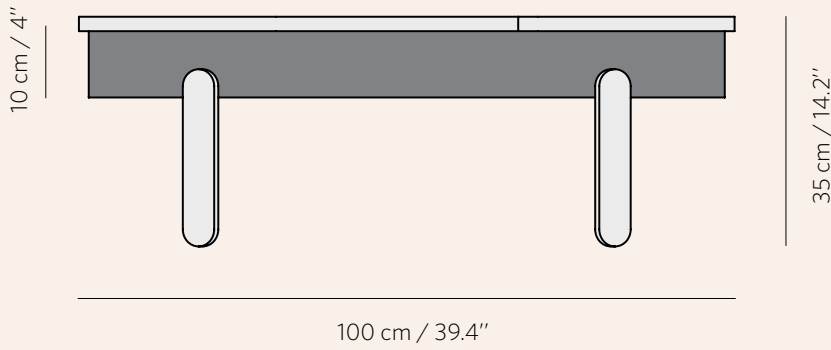
**Woodendot**  
LIVE DESIGN



**Woodendot**  
LIVE DESIGN

TECHNICAL SPECIFICATIONS



# BATEA L



- BA-L-WB Large Walnut-Black Batea coffee table
- BA-L-OW Large Oak-White Batea coffee table
- BA-L-OB Large Oak-Black Batea coffee table



- Sliding lid and legs made of solid oak/ walnut  
Structure in lacquered steel  
Matte finish  
Clean with damp cloth  
Easily assembled  
Delivered in a flat package

-  14 Kg / 30.8 lbs
-  15 Kg / 33 lbs  
105 x 65 x 15H cm / 41.3" x 25.6" x 6"H